

**Performance Range**

- Flow rate up to 450 l/min. (27 m<sup>3</sup>/h)
- Dynamic head up to 15 m.

**Applications**

- All applications of pumping and draining effluent, civil and industrial sewage with suspended solids.
- Pumping stations with one or more pumps for civil and industrial plants.

**Features**

- Light weight, portable.
- Made out of stainless steel AISI 304 sheet metal.
- High quality mechanical shaft seal.
- Class-F motor insulation which can handle higher motor temperature.
- Thermally protected motors which prevents motor from burn out.
- Vortex impeller designs to handle solids laden sewage and/or fibrous substance.
- A fully waterproof IP 68 structure, combined with a high grade silicon carbide mechanical seal.
- Permanently lubricated ball bearings.
- Solid passage size up to 40 mm.

**Vortex Impeller**



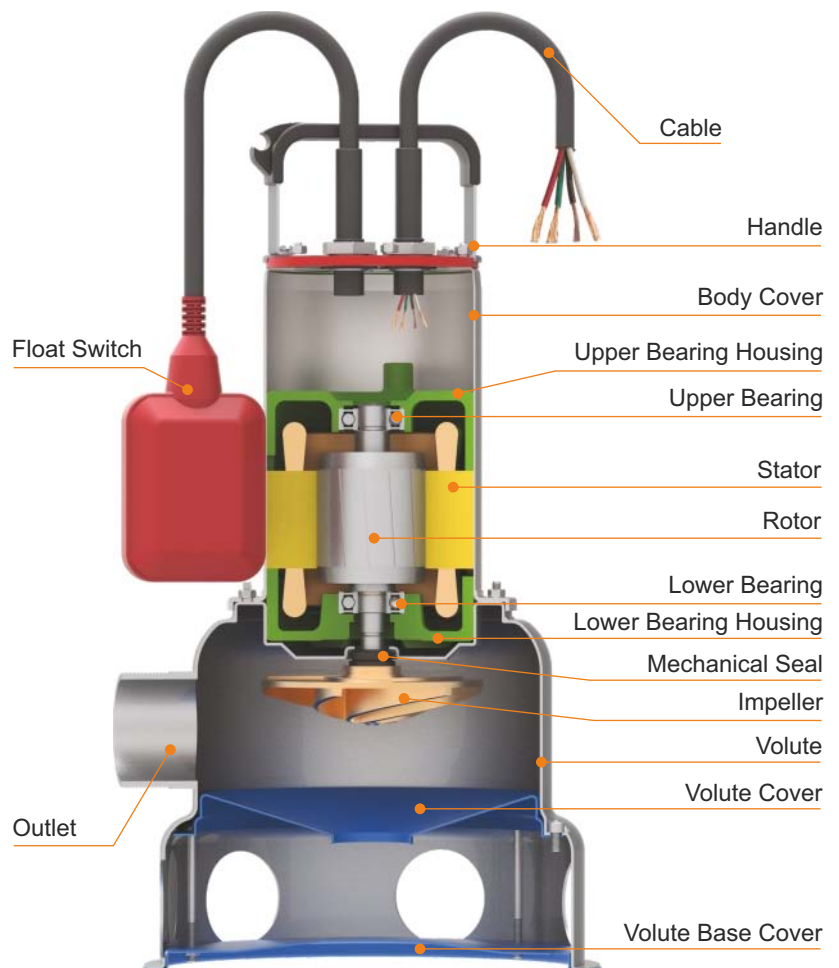
- Vortex impellers create a hydraulic passage, allowing long fibrous materials to pass through without any contact with the impeller.

**Specification**

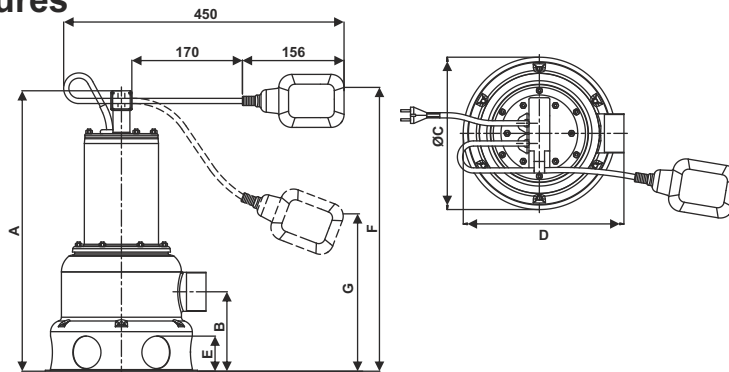
Pumping liquid	Ambient temp	Max. +50°C	
	Liquid temp	0°C to +50°C	
	Liquid nature	Pumps are suitable for drainage waste or sump drainage water with or without solids.	
Pump	Structure	Impeller	Vortex
		M.seal	Mechanical seal
		Bearing	Ball type bearing
	Material	Impeller	S.S. AISI 304L
		Volute	S.S. AISI 304L
		Upper cover	S.S. AISI 304L
		M.seal	Sic/Sic
Motor	Type	Dry motor	
	Insulation	F Class	
	Frequency	50 Hz	
	Material	Stator body	S.S. AISI 304L
		Shaft	S.S AISI 410
		Cable	PVC
Protection	IP 68		
Duty	S1 - When pump is completely submerged S3 - When pump is partially submerged		
Voltage	1 Ph. 230 V +5/-15%, 3 Ph. 400 V +5/-15%		

**Direction of Rotation**

- Clockwise as seen from the motor rear end.



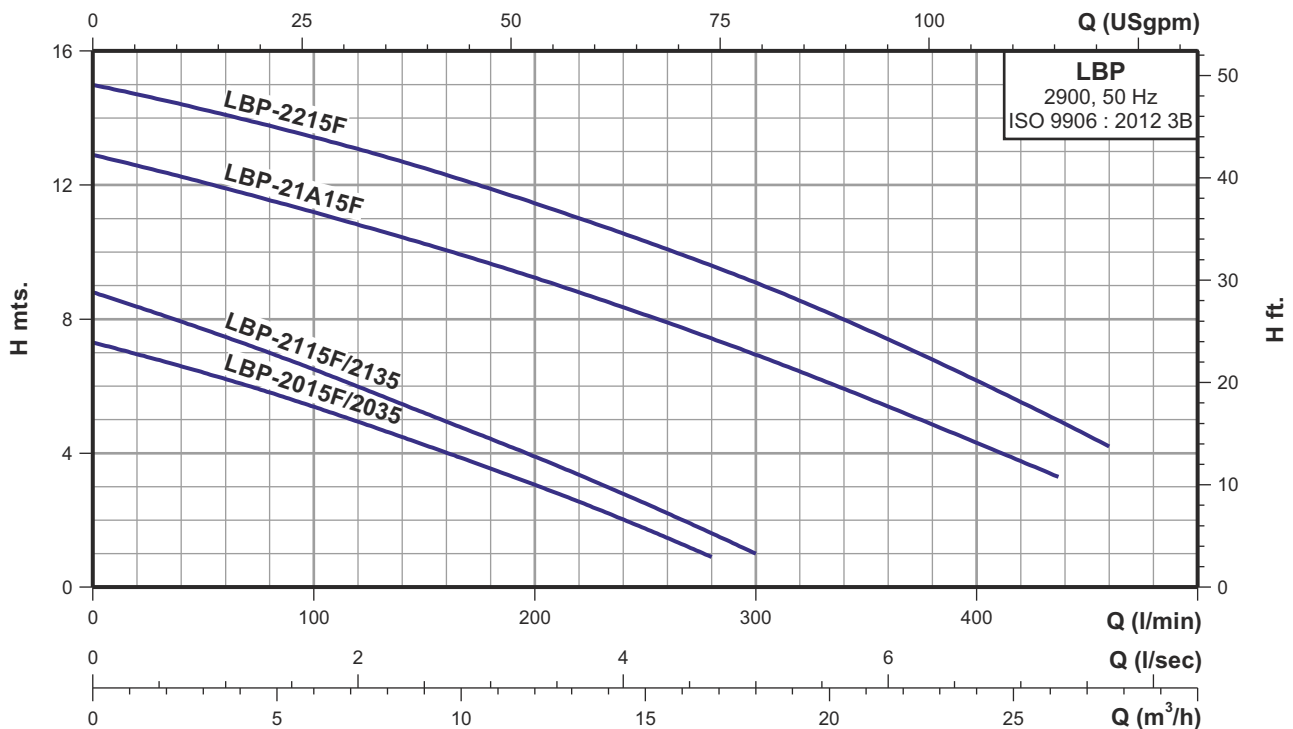
## General Pump Features



## DIMENSIONS

Model		Disc. mm (Inch)	Dimensions (mm)							Net Weight (kg.)	Gross Weight (kg.)	Volume (m <sup>3</sup> )	Cable data cable x core x size (mm <sup>2</sup> ) x length (m) x Material
Single Phase	Three Phase		A	B	C	D	E	F	G				
LBP 2015F	-	50 (2")	430	123	235	241	55	550	290	9.5	11.8	0.045	1 x 3 x 1.0 x 5 x PVC
-	LBP 2035/2035F	50 (2")	430	123	235	241	55	550	290	9.5	11.8	0.045	1 x 4 x 1.0 x 5 x PVC
LBP 2115F	-	50 (2")	430	123	235	241	55	550	290	9.5	11.8	0.045	1 x 3 x 1.0 x 5 x PVC
-	LBP 2135	50 (2")	430	123	235	241	55	550	290	10.5	13.0	0.045	1 x 4 x 1.0 x 5 x PVC
LBP 21A15F	-	50 (2")	498	123	235	241	55	550	290	13.8	15.3	0.050	1 x 3 x 1.5 x 5 x PVC
LBP 2215F	-	50 (2")	518	123	235	241	55	550	290	15.2	16.7	0.050	1 x 3 x 1.5 x 8 x PVC

## PERFORMANCE CHART AT n = 2900 RPM FOR SS SUBMERSIBLE EFFLUENT VORTEX PUMPS



## PERFORMANCE DATA AT n = 2900 RPM

MODEL		POWER		START METHOD	m <sup>3</sup> /h l/min	3	6	9	12	15	18	21	24	27
Single Phase	Three Phase	kW	HP			H (m)	50	100	150	200	250	300	350	400
LBP 2015F	-	0.37	0.5	Capacitor	H (m)	6.4	5.4	4.3	3.1	1.7	-	-	-	-
-	LBP 2035/2035F	0.37	0.5	Direct		6.4	5.4	4.3	3.1	1.7	-	-	-	-
LBP 2115F	-	0.75	1.0	Capacitor		7.6	6.5	5.3	3.9	2.5	1	-	-	-
-	LBP 2135	0.75	1.0	Direct		7.6	6.5	5.3	3.9	2.5	1	-	-	-
LBP 21A15F	-	1.10	1.5	Capacitor		12	11.2	10.3	9.2	8.1	6.9	5.7	4.3	-
LBP 2215F	-	1.50	2.0	Capacitor		14.3	13.4	12.5	11.5	10.4	9.1	7.7	6.1	4.6

Note : Subscript "F" pumps will be provided with a float switch.