

® ©



Submersible

Pumps • Motors

50Hz **8"**

**Investment Cast Stainless Steel
Submersible Pump**

Pumping Solution

Construction

- Submersible motor & pumps for deep wells of 8" (DN 200 mm).
- Sized for connection to the motor according to NEMA standards.
- Delivery casing with built-in non-return valve.
- Impellers:**
 - Mixed flow impellers**
I55, I75, I95, G1125
- Connection: Screwed pipe connection with BSP thread as standard.

Applications

- Water supply
- Irrigation
- Civil
- Industrial
- Fire fighting

Performance range

- Flow range: Max. 3000 m³/h
- Head range: Max. 520.2 metres

Operating conditions

- Liquid temperature: 0°C to +45°C
- Max. sand content into the water: 50 g/m³
- Max. starts per hour: 20 at regular intervals
- Direction of rotation: Clockwise as seen from the pump coupling side.

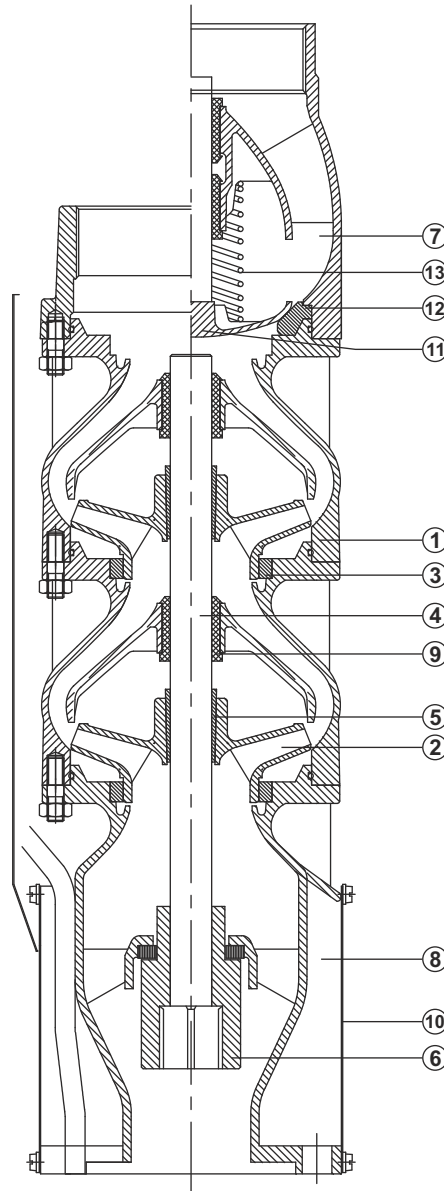


Construction

Investment Cast Stainless Steel Submersible bore well pumps

8"

Sectional drawing



I55, I75, I95, I125
With 10" Motor joining

Materials

Pos.	Component	"1" type pump
1	Bowl / Diffuser	CF8/CF8M
2	Impeller	CF8/CF8M
3	Neck ring	POM
4	Shaft	AISI 431
5	Shaft sleeve	AISI 304
6	Couple	AISI 316
7	Delivery casing / NRV	CF8/CF8M
8	Suction case	CF8/CF8M
9	Bearing bush	EPDM
10	Strainer	AISI 304
11	Valve	AISI 304
12	Valve seat	NBR
13	Valve Spring	AISI 304

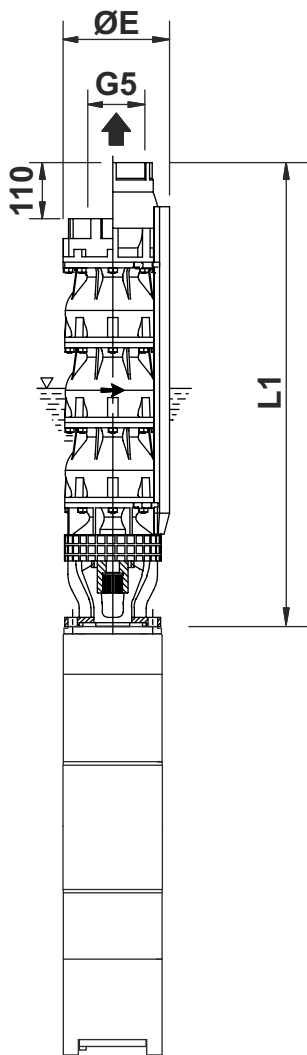
Technical data

Mixed flow 8" Investment Cast Stainless Steel Submersible bore well pumps

I55

Performance chart

Pump type	kW	HP	Q m ³ /h	0	167	500	833	1217	1333
				Q l/min	0	10	30	50	73
I55 01	5.5	7.5	H m	28.7	28	27	23	14	10.2
I55 02/2A	7.5	10.0		45.7	44.4	43	35	14.9	
I55 02/1A	7.5	10.0		51.3	59.9	48	40	20.5	
I55 02	9.3	12.5		57	55.6	53	45	27	19.7
I55 03/2A	11	15.0		74.2	72.1	69	57	27.7	
I55 03	15	20.0		86.1	83.9	80	69	41	30.7
I55 04/2A	15	20.0		102.7	99.9	96	79	41	
I55 04	18.5	25.0		114.6	111.7	107	91	55	40.7
I55 05/3A	18.5	25.0		125.6	112.2	117	97	49	
I55 05/2A	22	30.0		132.3	128.8	124	104	56.7	
I55 05	22	30.0		143.5	139.8	134	114	68	50.5
I55 06/2A	26	35.0		160.7	156.6	150	127	70.9	
I55 06	30	40.0		172	167.6	160	137	83	61.3
I55 07/2A	30	40.0		188.3	183.6	176	148	82.3	
I55 07	30	40.0		199.7	194.5	186	158	93	68.8



Dimensions & weights of only Pump

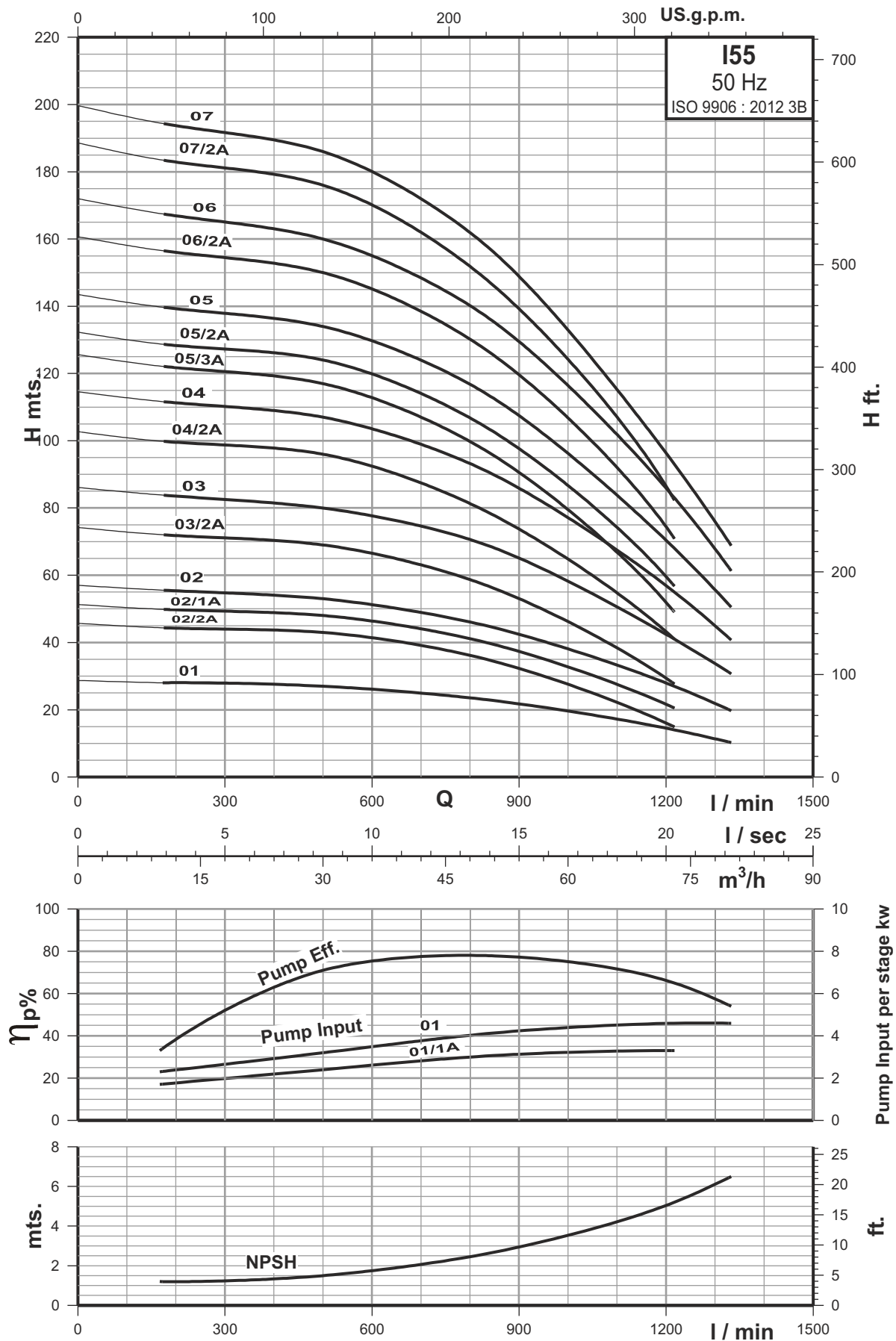
Pump Type	Motor Joining Size	ØE [mm]	L1 [mm]	Pump Gross weight [kg]	Pump Gross volume [m ³]
I55 01	6"	198	560	44	0.09
I55 02/2A	6"	198	695	52	0.09
I55 02/1A	6"	198	695	52	0.09
I55 02	6"	198	695	52	0.09
I55 03/2A	6"	198	830	66	0.12
I55 03	6"	198	830	66	0.12
I55 04/2A	6"	198	965	75	0.12
I55 04	6"	198	965	75	0.12
I55 05/3A	6"	198	1100	88	0.14
I55 05/2A	6"	198	1100	88	0.14
I55 05	6"	198	1100	88	0.14
I55 06/2A	6"	198	1235	97	0.14
I55 06	6"	198	1235	97	0.14
I55 07/2A	6"	198	1370	109	0.16
I55 07	6"	198	1370	109	0.16

Note: ØE = For single cable motor maximum diameter of pump inclusive of cable guard.
 For two cable motor maximum diameter of pump inclusive of cable guard will increase by 4 mm.
 All dimensions in mm unless otherwise noted.

Performance curves

Mixed flow 8" Investment Cast Stainless Steel Submersible bore well pumps

I55

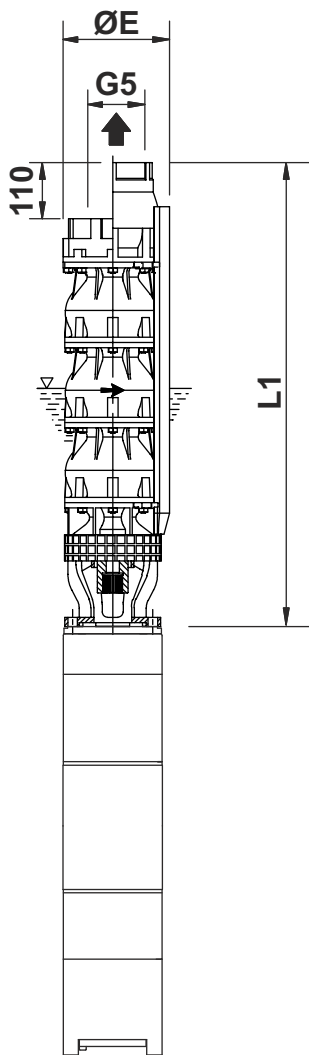


Technical data

Mixed flow 8" Investment Cast Stainless Steel Submersible bore well pumps

155

Performance chart



Pump type	kW	HP	Q m ³ /h	0	167	500	833	1217	1333
				Q l/min	0	10	30	50	73
I55 08/2A	37	50.0	H m	217	211.5	202.8	171	96.1	
I55 08	37	50.0		228.3	222.5	212.7	181	107.3	79.4
I55 09/2A	37	50.0		244.8	238.3	227.8	191.2	106.8	
I55 09	45	60.0		260.6	254.2	244.3	210.6	128.5	96.9
I55 10/2A	45	60.0		277.5	270.5	260.1	221.5	128.4	
I55 10	45	60.0		288.8	281.7	270.3	231.9	140.2	105.2
I55 11/2A	45	60.0		305.6	298	286.6	244.8	143.2	
I55 11	55	75.0		316.9	309.2	296.8	255.4	155.4	116.9
I55 12	55	75.0		346.6	338.3	324.8	279.8	170.5	128.5
I55 13	55	75.0		375.3	366.1	351.3	302.3	183.7	138.2
I55 14	67	90.0		404.5	394.7	379.1	326.6	198.9	149.9
I55 15	67	90.0		432.8	422.2	404.9	348	210.9	158.4
I55 16	75	100.0		461.6	450.3	432.1	372.2	226.5	170.5
I55 17	75	100.0		491.8	479.8	461.2	398.8	244.6	185
I55 18	93	125.0		520	507.3	487.4	420.8	257	194
I55 19	93	125.0		551.2	538	517	446.3	273.5	206.9

Dimensions & weights of only Pump

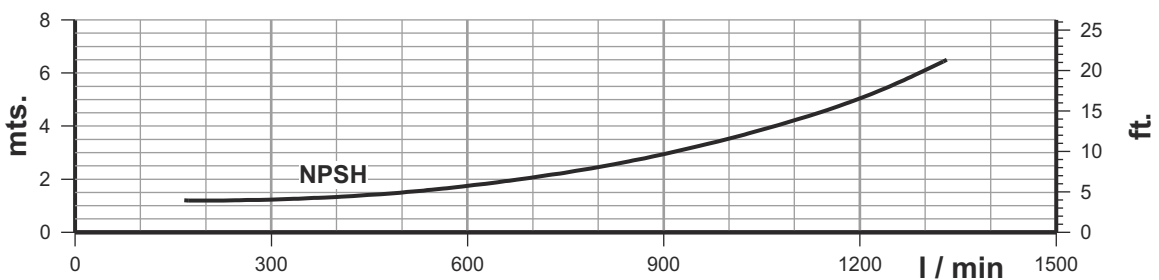
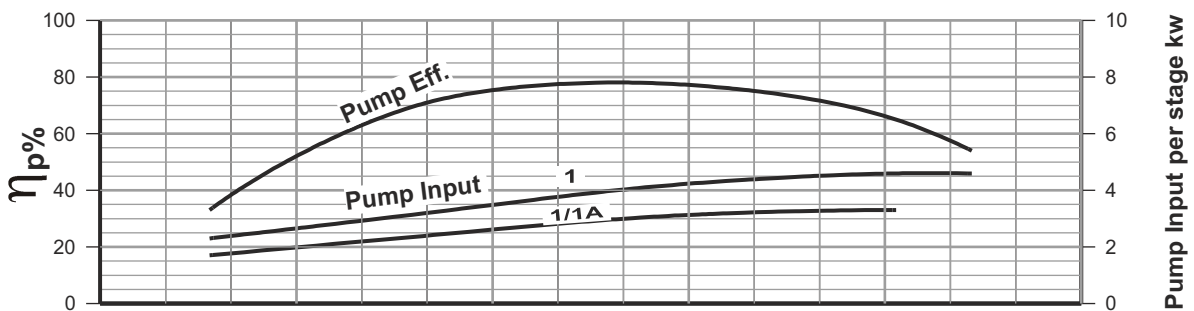
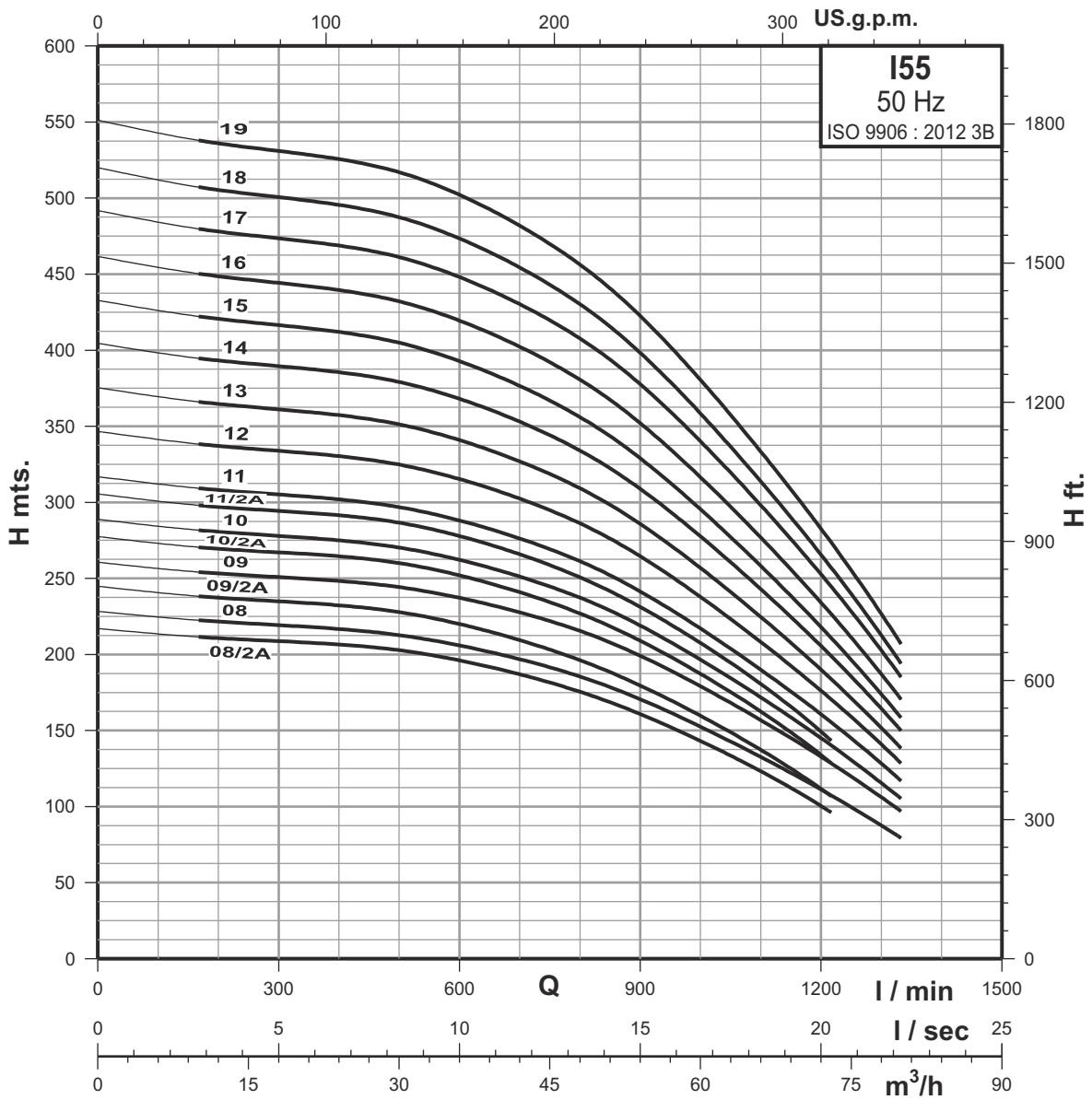
Pump Type	Motor Joining Size	ØE [mm]	L1 [mm]	Pump Gross weight [kg]	Pump Gross volume [m ³]
I55 08/2A	6"	198	1505	120	0.18
I55 08	6"	198	1505	120	0.18
I55 09/2A	6"	198	1640	144	0.2
I55 09	8"	201.5	1640	144	0.2
I55 10/2A	8"	201.5	1775	153	0.2
I55 10	8"	201.5	1775	153	0.2
I55 11/2A	8"	201.5	1910	156	0.24
I55 11	8"	201.5	1910	156	0.24
I55 12	8"	201.5	2045	165	0.24
I55 13	8"	201.5	2180	178	0.25
I55 14	8"	201.5	2315	190	0.27
I55 15	8"	201.5	2450	204	0.3
I55 16	8"	201.5	2585	213	0.3
I55 17	8"	201.5	2720	224	0.32
I55 18	8"	201.5	2855	236	0.34
I55 19	8"	201.5	2990	251	0.37

Note: ØE = For single cable motor maximum diameter of pump inclusive of cable guard.
 For two cable motor maximum diameter of pump inclusive of cable guard will increase by 4 mm.
 All dimensions in mm unless otherwise noted.

Performance curves

Mixed flow 8" Investment Cast Stainless Steel Submersible bore well pumps

I55



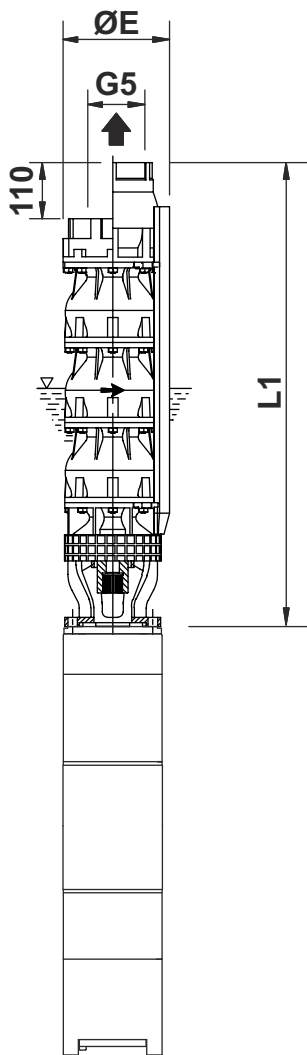
Technical data

Mixed flow 8" Investment Cast Stainless Steel Submersible bore well pumps

I75

Performance chart

Pump type	kW	HP	H m						
			Q m ³ /h	0	250	700	1167	1500	1750
			Q l/min	0	15	42	70	90	105
I75 01	5.5	7.5		27.3	26.1	24	21.2	16.8	12.7
I75 02/2A	7.5	10.0		41.1	39.2	36.3	28.9	19.7	10.7
I75 02/1A	9.3	12.5		47.7	46	42	35.3	26.5	17.9
I75 02	11	15.0		53.9	51.5	47.4	41.7	32.8	24.6
I75 03/3A	11	15.0		61.2	58.4	54.1	42.9	29	15.6
I75 03/2A	13	17.5		68.7	65.6	60.7	50.3	36.8	23.7
I75 03/1A	15	20.0		74.8	71.5	65.9	56.2	43.1	30.4
I75 03	18.5	25.0		82	78.4	72.1	63.5	50.3	38.1
I75 04/2A	18.5	25.0		95.4	91.1	84.1	70.6	52.9	35.8
I75 04	22	30.0		109.3	104.5	96.2	84.7	67.1	50.8
I75 05/2A	26	35.0		125.1	119.6	110.4	94.1	72.3	50.9
I75 05	30	40.0		137.6	131.6	121.1	106.8	84.9	64.4
I75 06/2A	30	40.0		152.8	146.1	134.8	115.5	89.6	64
I75 06/1A	30	40.0		158.4	151	139.6	120.9	95.3	70.2
I75 06	37	50.0		166.8	159.6	147	132.3	103.8	79.2



Dimensions & weights of only Pump

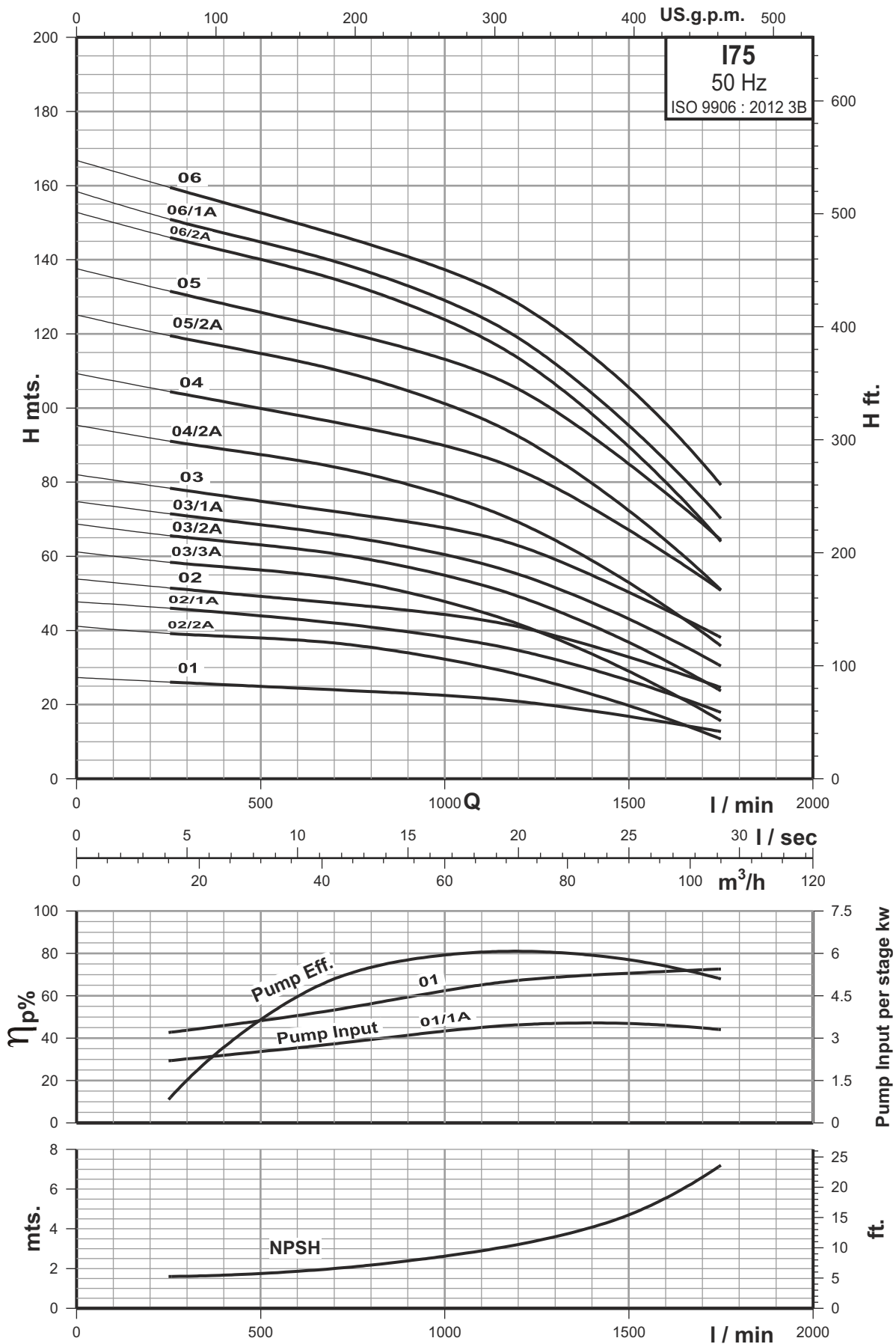
Pump Type	Motor Joining Size	ØE [mm]	L1 [mm]	Pump Gross weight [kg]	Pump Gross volume [m ³]
I75 01	6"	198	577	44	0.09
I75 02/2A	6"	198	729	58	0.12
I75 02/1A	6"	198	729	58	0.12
I75 02	6"	198	729	58	0.12
I75 03/3A	6"	198	881	67	0.12
I75 03/2A	6"	198	881	67	0.12
I75 03/1A	6"	198	881	67	0.12
I75 03	6"	198	881	67	0.12
I75 04/2A	6"	198	1033	77	0.12
I75 04	6"	198	1033	77	0.12
I75 05/2A	6"	198	1185	91	0.14
I75 05	6"	198	1185	91	0.14
I75 06/2A	6"	198	1337	103	0.16
I75 06/1A	6"	198	1337	103	0.16
I75 06	6"	198	1337	103	0.16

Note: ØE = For single cable motor maximum diameter of pump inclusive of cable guard.
 For two cable motor maximum diameter of pump inclusive of cable guard will increase by 4 mm.
 All dimensions in mm unless otherwise noted.

Performance curves

Mixed flow 8" Investment Cast Stainless Steel Submersible bore well pumps

175

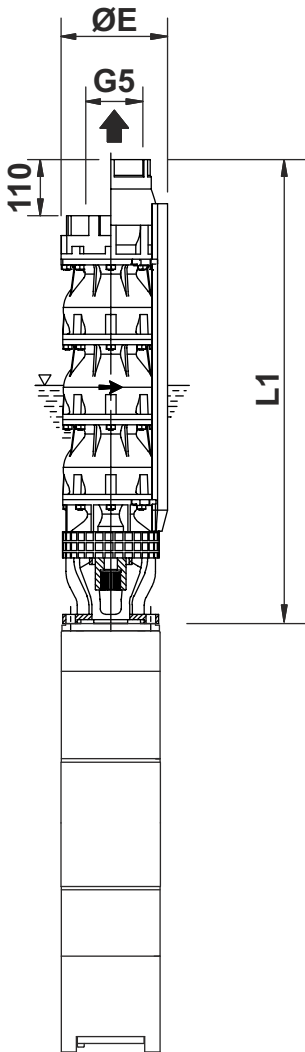


Technical data

Mixed flow 8" Investment Cast Stainless Steel Submersible bore well pumps

175

Performance chart



Pump type	kW	HP	Q m ³ /h	0	250	500	750	1000	1250	1500	1750
				Q l/min	0	15	30	45	60	75	90
I75 07/2A	37	50.0	H m	180.7	171.6	165.4	158.3	147.5	130.9	107.4	76.6
I75 07	45	60.0		192.2	181.9	175.6	168.7	158	141.6	118.8	90.2
I75 08/2A	45	60.0		209.8	199.4	192.2	184	171.7	152.9	126.3	91.2
I75 08	45	60.0		221.9	210.1	202.9	195	182.8	164.1	138.1	105.5
I75 09/2A	45	60.0		233.7	222	213.8	204.6	190.8	169.6	139.6	100
I75 09/1A	55	75.0		244.6	232.4	223.8	214.4	200.8	180.3	150.9	111.7
I75 09	55	75.0		251.4	238.1	229.8	221	207.3	186.3	157.1	120.5
I75 10/2A	55	75.0		265.7	252.5	243.2	233	217.7	194.5	161.4	117.6
I75 10	55	75.0		277.4	262.7	253.6	243.7	228.5	205.1	172.6	131.9
I75 11/2A	55	75.0		289.6	275.1	264.9	253.6	236.8	211.2	174.8	126.5
I75 11	67	90.0		303.1	286.9	276.9	266.1	249.3	223.5	187.7	142.9
I75 12	67	90.0		330.7	313	302.1	290.3	272	243.8	204.8	155.9
I75 13	75	100.0		358.2	339.1	327.3	314.5	294.7	264.2	221.8	168.9
I75 14	93	125.0		385.8	365.1	352.5	338.7	317.3	284.5	238.9	181.8
I75 15	93	125.0		411.9	389.8	376.3	361.5	338.6	303.4	254.5	193.4
I75 16	93	125.0		439.3	415.8	401.4	385.6	361.2	323.6	271.5	206.3
I75 17	93	125.0		468.4	443.4	428	411.3	385.4	345.5	290.1	220.8
I75 18	110	150.0		496	469.5	453.2	435.5	408	365.8	307.2	233.8

Dimensions & weights of only Pump

Pump Type	Motor Joining Size	ØE [mm]	L1 [mm]	Pump Gross weight [kg]	Pump Gross volume [m ³]
I75 07/2A	6"	198	1489	115	0.18
I75 07	8"	201.5	1489	115	0.18
I75 08/2A	8"	201.5	1641	140	0.2
I75 08	8"	201.5	1641	140	0.2
I75 09/2A	8"	201.5	1793	149	0.2
I75 09/1A	8"	201.5	1793	149	0.2
I75 09	8"	201.5	1793	149	0.2
I75 10/2A	8"	201.5	1945	153	0.24
I75 10	8"	201.5	1945	153	0.24
I75 11/2A	8"	201.5	2097	167	0.25
I75 11	8"	201.5	2097	167	0.25
I75 12	8"	201.5	2249	180	0.27
I75 13	8"	201.5	2401	189	0.27
I75 14	8"	201.5	2553	203	0.3
I75 15	8"	201.5	2705	216	0.32
I75 16	8"	201.5	2857	228	0.34
I75 17	8"	201.5	3009	243	0.37
I75 18	10"	236	3182	262	0.38

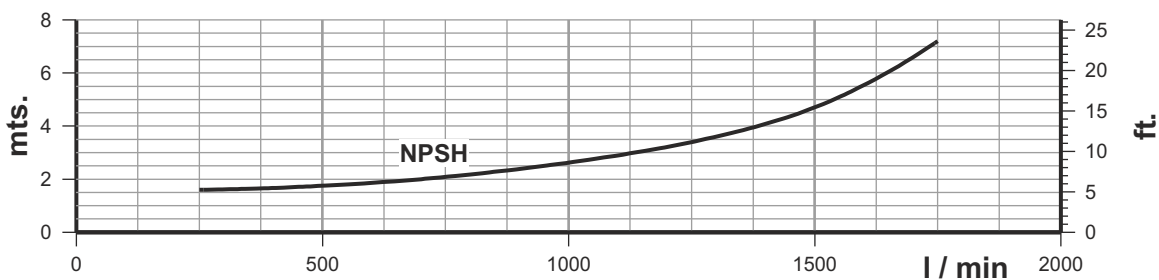
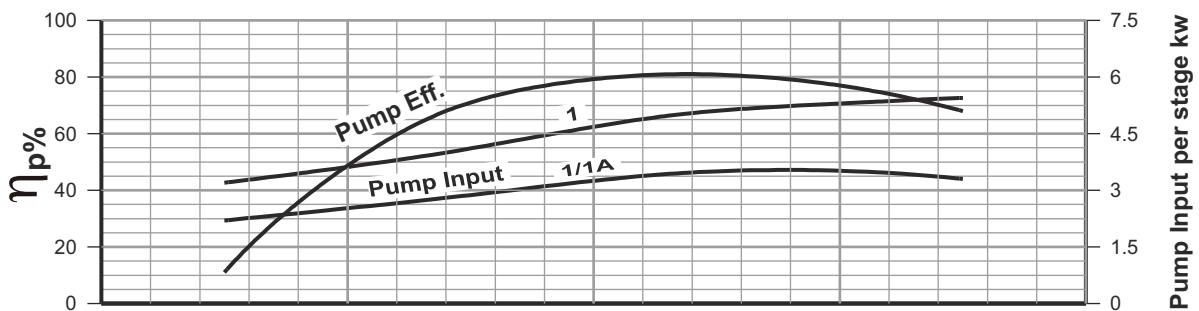
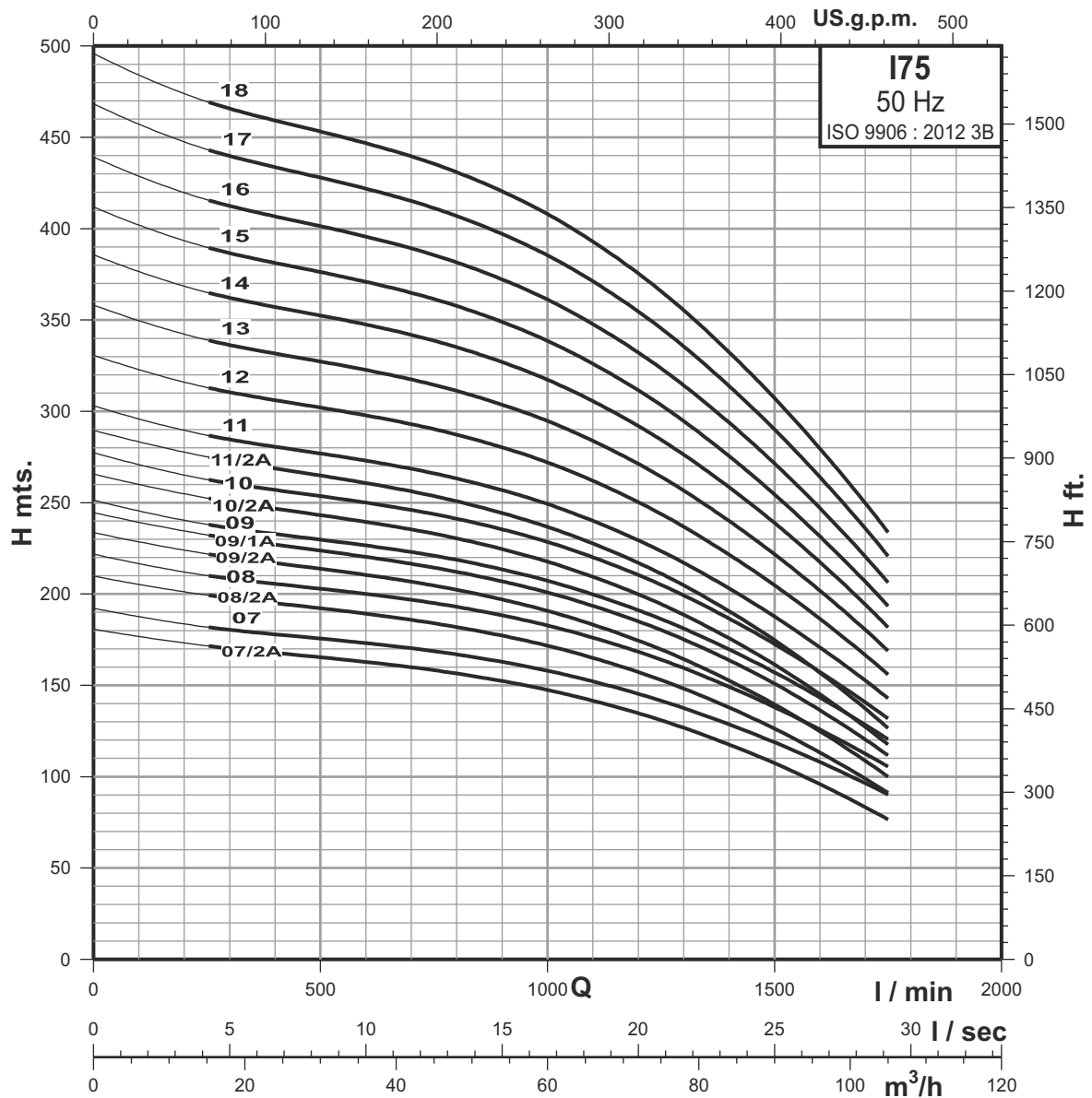
Note: ØE = For single cable motor maximum diameter of pump inclusive of cable guard.
For two cable motor maximum diameter of pump inclusive of cable guard will increase by 4 mm.

All dimensions in mm unless otherwise noted.

Performance curves

Mixed flow 8" Investment Cast Stainless Steel Submersible bore well pumps

175

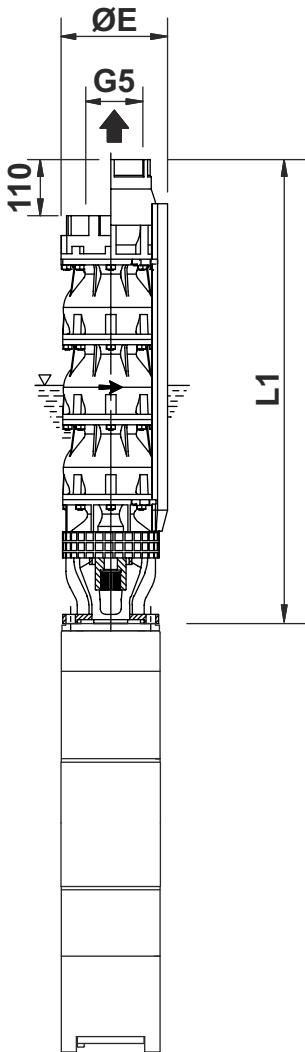


Technical data

Mixed flow 8" Investment Cast Stainless Steel Submersible bore well pumps

195

Performance chart



Pump type	kW	HP	H m						
			Q m ³ /h	0	137	1000	1500	2150	2300
			Q l/min	0	22	60	90	129	138
I95 01	7.5	10.0		28.5	27.7	25.3	21.6	12.3	9.8
I95 02/2B	11	15.0		38.7	38.3	35.2	27.5		
I95 02/2A	13	17.5		47.7	46.6	44	36.4	17.8	
I95 02	15	20.0		57	55.4	50.7	43.2	24.6	19.5
I95 03/2B	18.5	25.0		67.2	66.1	60.8	49.4		
I95 03/2A	22	30.0		81.1	79	73	61.8	34	
I95 03	26	35.0		86	83.8	77.3	66.4	39	30.4
I95 04/2B	26	35.0		96	94.1	86.7	71.8		
I95 04/2A	30	40.0		104.5	102	94.7	79.7	42.5	
I95 04	30	40.0		113.8	110.7	101.4	86.5	49.3	39.2
I95 05/3A	37	50.0		128	125	116.4	97.5	50.8	
I95 05	37	50.0		141.9	138	126.4	107.5	60.9	48.7
I95 06/3A	45	60.0		158.4	154.8	144.6	122.4	67.1	
I95 06	45	60.0		172.6	168.1	154.9	132.8	77.7	60.5

Dimensions & weights of only Pump

Pump Type	Motor Joining Size	ØE [mm]	L1 [mm]	Pump Gross weight [kg]	Pump Gross volume [m ³]
I95 01	6"	198	577	44	0.09
I95 02/2B	6"	198	729	58	0.12
I95 02/2A	6"	198	729	58	0.12
I95 02	6"	198	729	58	0.12
I95 03/2B	6"	198	881	67	0.12
I95 03/2A	6"	198	881	67	0.12
I95 03	6"	198	881	67	0.12
I95 04/2B	6"	198	1033	77	0.12
I95 04/2A	6"	198	1033	77	0.12
I95 04	6"	198	1033	77	0.12
I95 05/3A	6"	198	1185	91	0.14
I95 05	6"	198	1185	91	0.14
I95 06/3A	8"	201.5	1337	103	0.16
I95 06	8"	201.5	1337	103	0.16

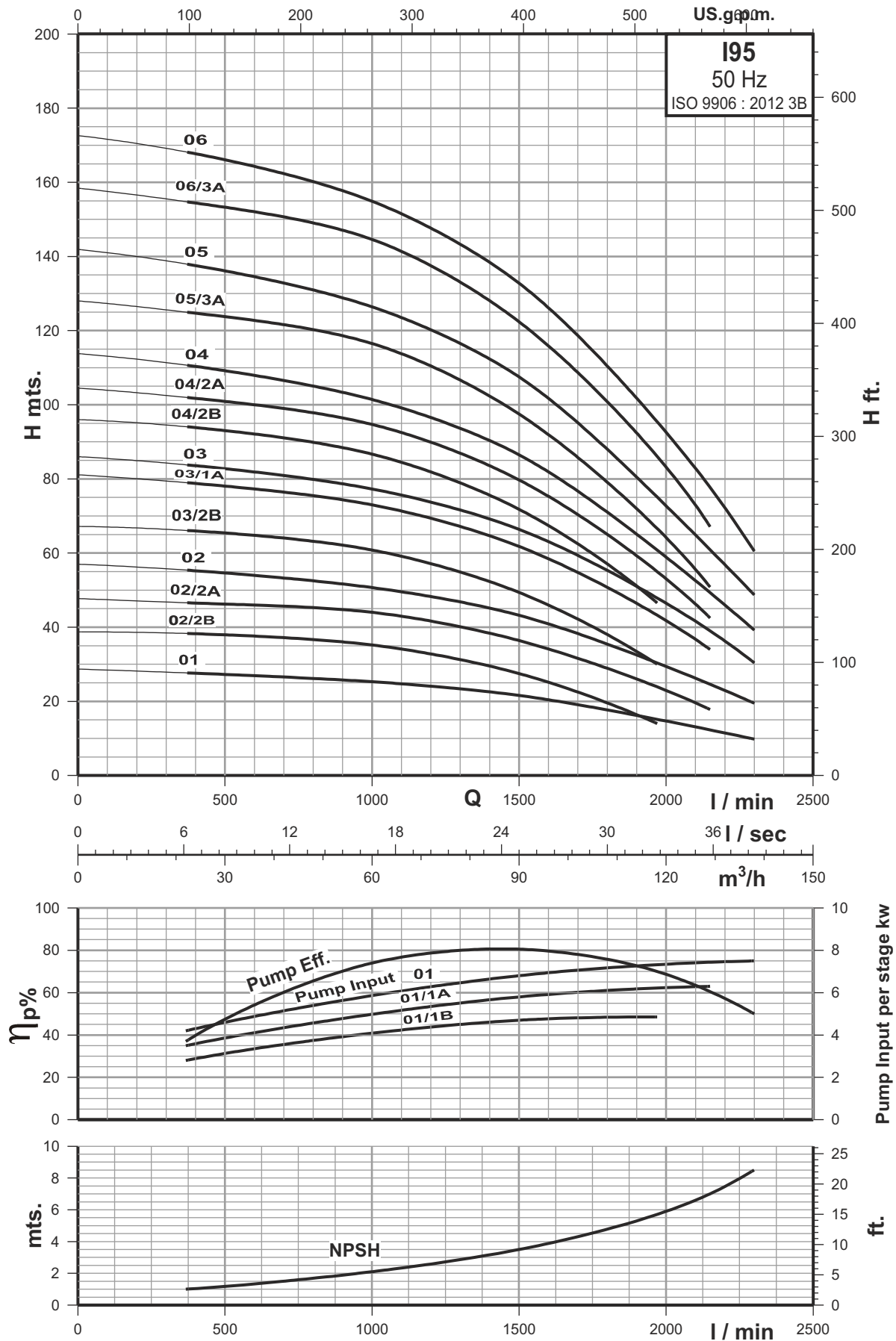
Note: ØE = For single cable motor maximum diameter of pump inclusive of cable guard.
For two cable motor maximum diameter of pump inclusive of cable guard will increase by 4 mm.

All dimensions in mm unless otherwise noted.

Performance curves

Mixed flow 8" Investment Cast Stainless Steel Submersible bore well pumps

195

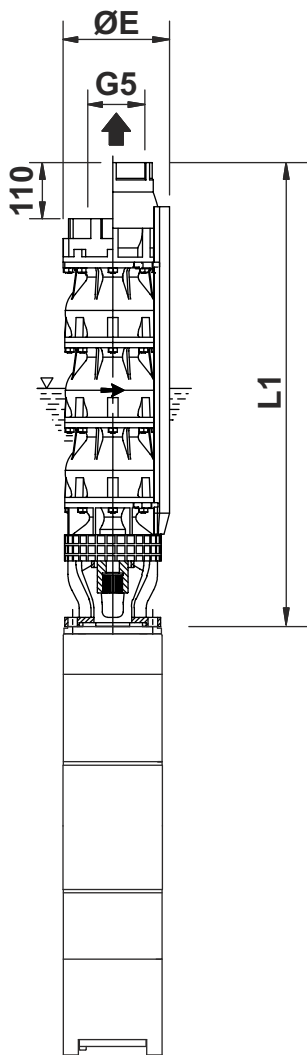


Technical data

Mixed flow 8" Investment Cast Stainless Steel Submersible bore well pumps

195

Performance chart



Pump type	kW	HP	Q m ³ /h	0	137	1000	1500	2150	2300
				Q l/min	0	22	60	90	129
I95 07/3A	55	75.0	H m	186.5	182.1	169.6	144	79.8	
I95 07	55	75.0		201.5	196.4	181.3	156.2	92.4	72.4
I95 08/3A	55	75.0		215.7	210.6	196	166.7	93.3	
I95 08	67	90.0		229.9	223.9	206.3	177.2	104	81.1
I95 09/3A	67	90.0		244.4	238.6	221.9	188.9	106.2	
I95 09	67	90.0		258.9	252.4	233	200.8	119	93.2
I95 10/3A	75	100.0		272.9	266.3	247.3	210.9	119.3	
I95 10	75	100.0		287	279.6	257.6	221.5	130	101.4
I95 11	93	125.0		316.3	308.2	284.6	245.2	145	113.4
I95 12	93	125.0		346.3	337.6	311.5	268.1	158.8	124.4
I95 13	110	150.0		374.9	365.6	338.1	291.9	174	137.5
I95 14	110	150.0		403.1	393	363	312.8	185.4	145.2
I95 15	135	180.0		434.2	423.5	391.4	337.7	201.8	159
I95 16	135	180.0		462.6	451	416.2	358.6	213.2	169
I95 17	135	180.0		490.9	478.4	440.9	379.4	224.2	175.5
I95 18	150	200.0		520.2	507.1	468.5	404.2	241	189.3

Dimensions & weights of only Pump

Pump Type	Motor Joining Size	ØE [mm]	L1 [mm]	Pump Gross weight [kg]	Pump Gross volume [m ³]
I95 07/3A	8"	201.5	1489	115	0.18
I95 07	8"	201.5	1489	115	0.18
I95 08/3A	8"	201.5	1641	140	0.20
I95 08	8"	201.5	1641	140	0.20
I95 09/3A	8"	201.5	1793	149	0.20
I95 09	8"	201.5	1793	149	0.20
I95 10/3A	8"	201.5	1945	153	0.24
I95 10	8"	201.5	1945	153	0.24
I95 11	8"	201.5	2097	167	0.25
I95 12	8"	201.5	2249	180	0.27
I95 13	10"	236	2422	189	0.27
I95 14	10"	236	2574	203	0.30
I95 15	10"	236	2726	216	0.32
I95 16	10"	236	2878	228	0.34
I95 17	10"	236	3030	243	0.37
I95 18	10"	236	3182	262	0.38

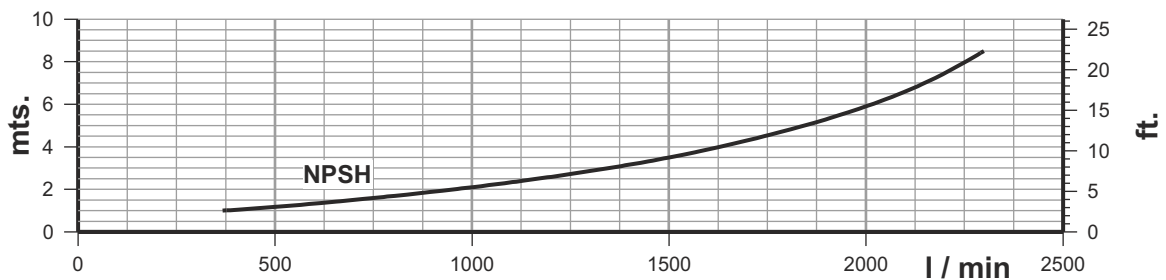
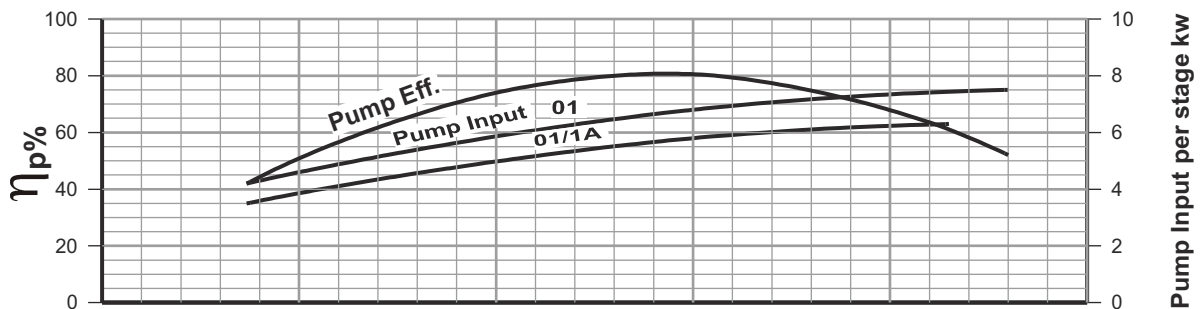
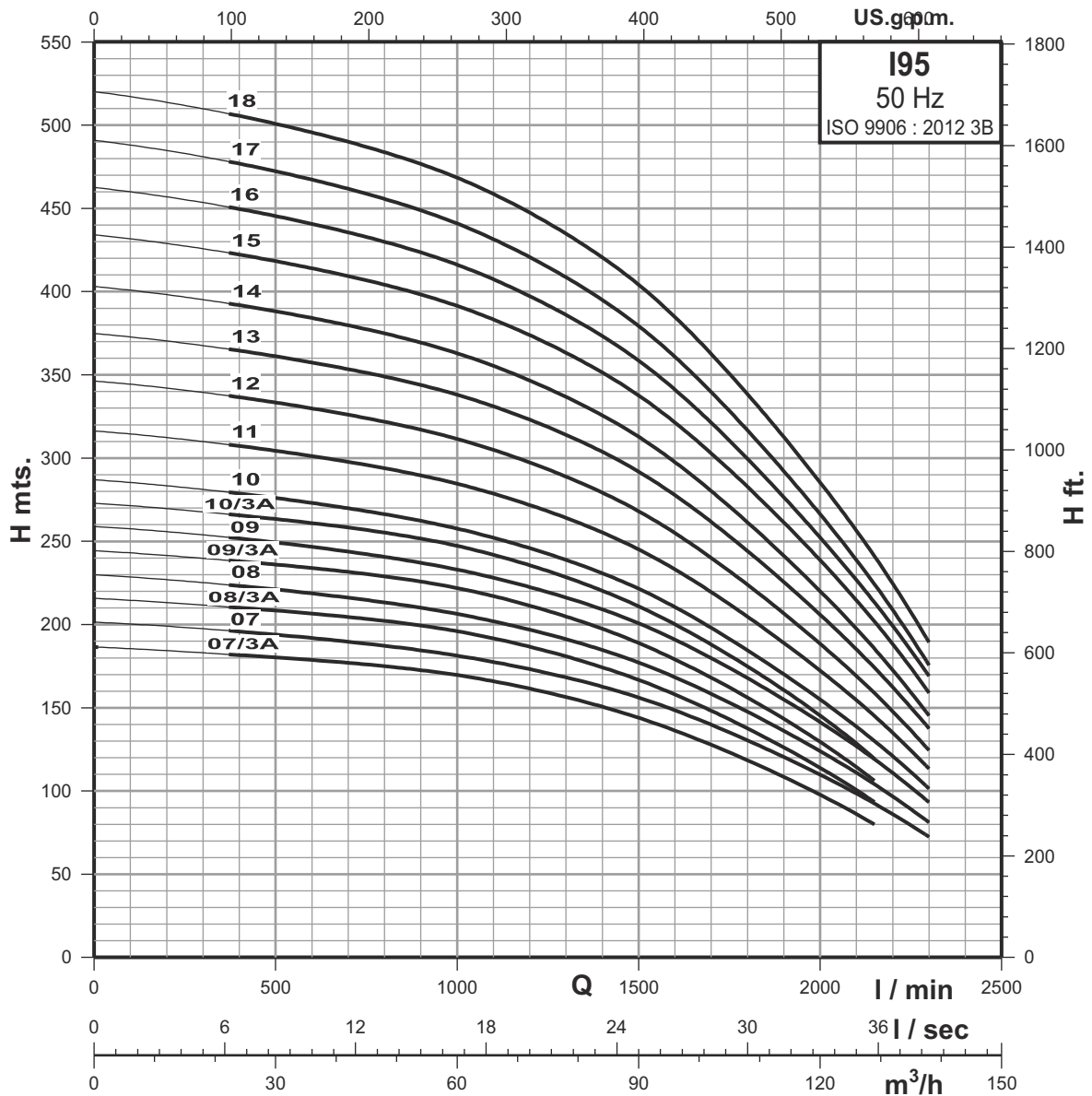
Note: ØE = For single cable motor maximum diameter of pump inclusive of cable guard.
For two cable motor maximum diameter of pump inclusive of cable guard will increase by 4 mm.

All dimensions in mm unless otherwise noted.

Performance curves

Mixed flow 8" Investment Cast Stainless Steel Submersible bore well pumps

195



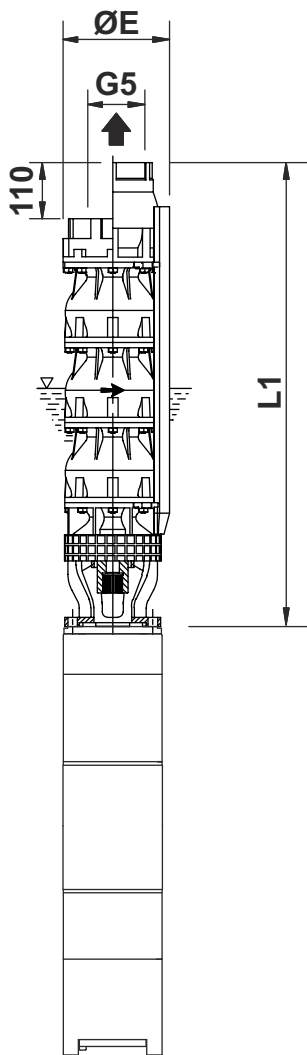
Technical data

Mixed flow 8" Investment Cast Stainless Steel Submersible bore well pumps

I125

Performance chart

Pump type	kW	HP	H m						
			Q m ³ /h	0	500	1333	2083	2800	3000
			Q l/min	0	30	80	125	168	180
I125 01	7.5	10.0		27.1	24.7	21	17.1	9.4	6.9
I125 02/2B	11	15.0		41.9	38.8	31.8	22.3		
I125 02/2A	13	17.5		48.3	44.6	37.5	28.9	13	
I125 02	15	20.0		54.3	49.5	42	34.1	18.8	13.7
I125 03/3A	18.5	25.0		71.9	66.2	55.5	42.6	19.3	
I125 03	22	30.0		81.7	74.6	63.4	51.5	28.7	20.7
I125 04/2B	26	35.0		97	89.2	74.8	57.5		
I125 04/2A	30	40.0		102.6	94.1	79.5	63.1	32.9	
I125 04	30	40.0		108.5	99	84.1	68.3	37.8	27.5
I125 05/3A	37	50.0		126.4	116	97.9	77.1	39.3	
I125 05	37	50.0		135.2	123.4	104.7	84.8	46.6	34.2
I125 06/3A	45	60.0		156.4	143.5	121.7	97.1	50.2	
I125 06	45	60.0		165.5	151.1	128.8	105	60	41.9



Dimensions & weights of only Pump

Pump Type	Motor Joining Size	ØE [mm]	L1 [mm]	Pump Gross weight [kg]	Pump Gross volume [m ³]
I125 01	6"	198	577	577	0.09
I125 02/2B	6"	198	729	729	0.12
I125 02/2A	6"	198	729	729	0.12
I125 02	6"	198	729	729	0.12
I125 03/3A	6"	198	881	881	0.12
I125 03	6"	198	881	881	0.12
I125 04/2B	6"	198	1033	1033	0.12
I125 04/2A	6"	198	1033	1033	0.12
I125 04	6"	198	1033	1033	0.12
I125 05/3A	6"	198	1185	1185	0.14
I125 05	6"	198	1185	1185	0.14
I125 06/3A	8"	201.5	1337	1337	0.16
I125 06	8"	201.5	1337	1337	0.16

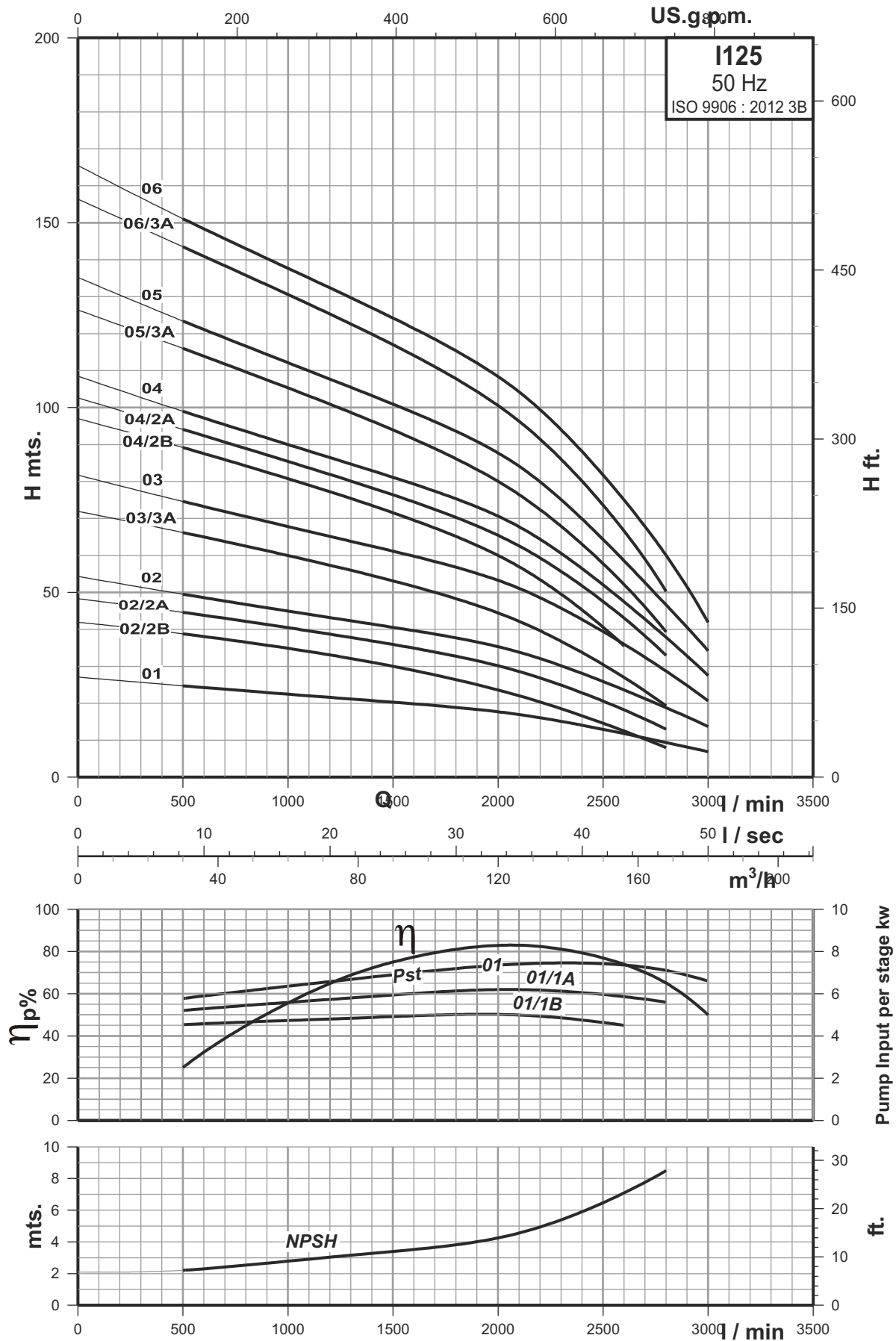
Note: ØE = For single cable motor maximum diameter of pump inclusive of cable guard.
For two cable motor maximum diameter of pump inclusive of cable guard will increase by 4 mm.

All dimensions in mm unless otherwise noted.

Performance curves

Mixed flow 8" Investment Cast Stainless Steel Submersible bore well pumps

I125



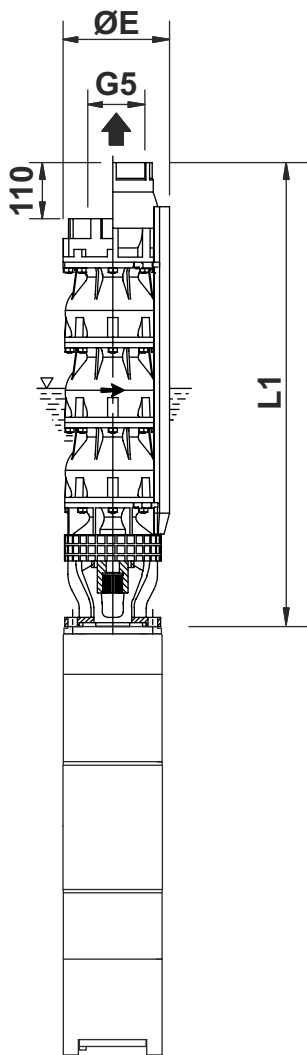
Technical data

Mixed flow 8" Investment Cast Stainless Steel Submersible bore well pumps

I125

Performance chart

Pump type	kW	HP	Q m ³ /h	0	500	1333	2083	2800	3000
				Q l/min	0	30	80	125	168
I125 07/3A	55	75.0	H m	183.3	168	142.6	114.3	60.2	
I125 07	55	75.0		192.3	175.6	149.8	122.5	69.8	48.8
I125 08/3A	55	75.0		210.9	193.2	164.1	131.8	70.3	
I125 08	67	90.0		220.5	201.3	171.8	140.4	80.3	55.9
I125 09/3A	67	90.0		239	218.9	186	149.8	80.6	
I125 09	67	90.0		248.1	226.5	193.2	157.8	90.3	62.9
I125 10/3A	75	100.0		266.2	243.7	207.3	167.4	90.7	
I125 10	75	100.0		275.3	251.4	214.6	175.4	100.3	69.9
I125 11	93	125.0		304.2	277.8	237.4	194.4	112.2	76.8
I125 12	93	125.0		332.7	303.9	259.6	212.5	123	84.5
I125 13	93	125.0		361.2	329.9	282.3	231.6	134.9	93.1
I125 14	110	150.0		387.9	354.2	302.8	248	143.5	98.5
I125 15	110	150.0		414.3	378.3	323	264.2	151.9	104
I125 16	135	180.0		444.5	406	347	284.4	165.3	113.9
I125 17	135	180.0		470.9	430.1	367.3	300.6	173.7	119.5
I125 18	150	200.0		500.4	457.1	391	320.8	186.8	128.9



Dimensions & weights of only Pump

Pump Type	Motor Joining Size	ØE [mm]	L1 [mm]	Pump Gross weight [kg]	Pump Gross volume [m ³]
I125 07/3A	8"	201.5	1489	115	0.18
I125 07	8"	201.5	1489	115	0.18
I125 08/3A	8"	201.5	1641	140	0.20
I125 08	8"	201.5	1641	140	0.20
I125 09/3A	8"	201.5	1793	149	0.20
I125 09	8"	201.5	1793	149	0.20
I125 10/3A	8"	201.5	1945	153	0.24
I125 10	8"	201.5	1945	153	0.24
I125 11	8"	201.5	2097	167	0.25
I125 12	8"	201.5	2249	180	0.27
I125 13	8"	201.5	2401	189	0.27
I125 14	10"	236	2574	203	0.30
I125 15	10"	236	2726	216	0.32
I125 16	10"	236	2878	228	0.34
I125 17	10"	236	3030	243	0.37
I125 18	10"	236	3182	262	0.38

Note: ØE = For single cable motor maximum diameter of pump inclusive of cable guard.
For two cable motor maximum diameter of pump inclusive of cable guard will increase by 4 mm.

All dimensions in mm unless otherwise noted.

Performance curves

Mixed flow 8" Investment Cast Stainless Steel Submersible bore well pumps

I125

